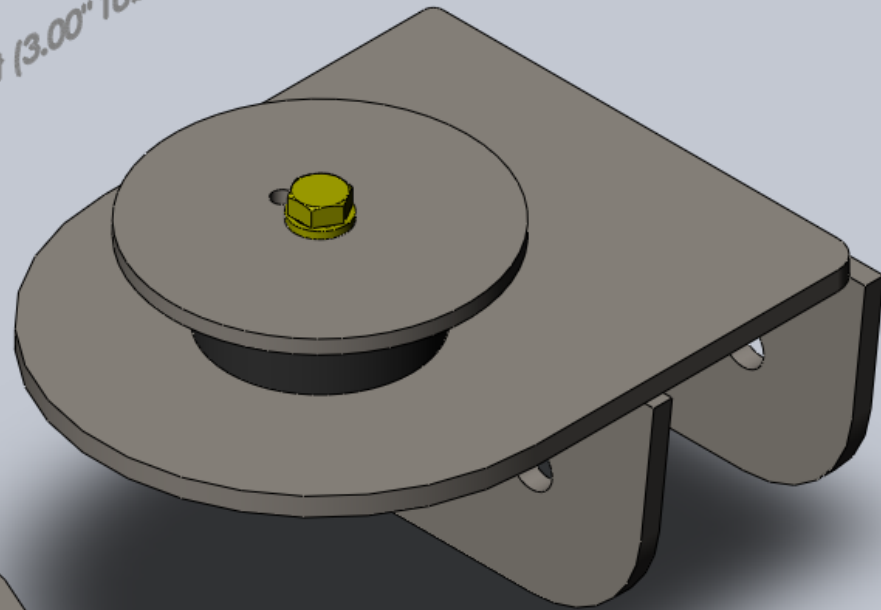
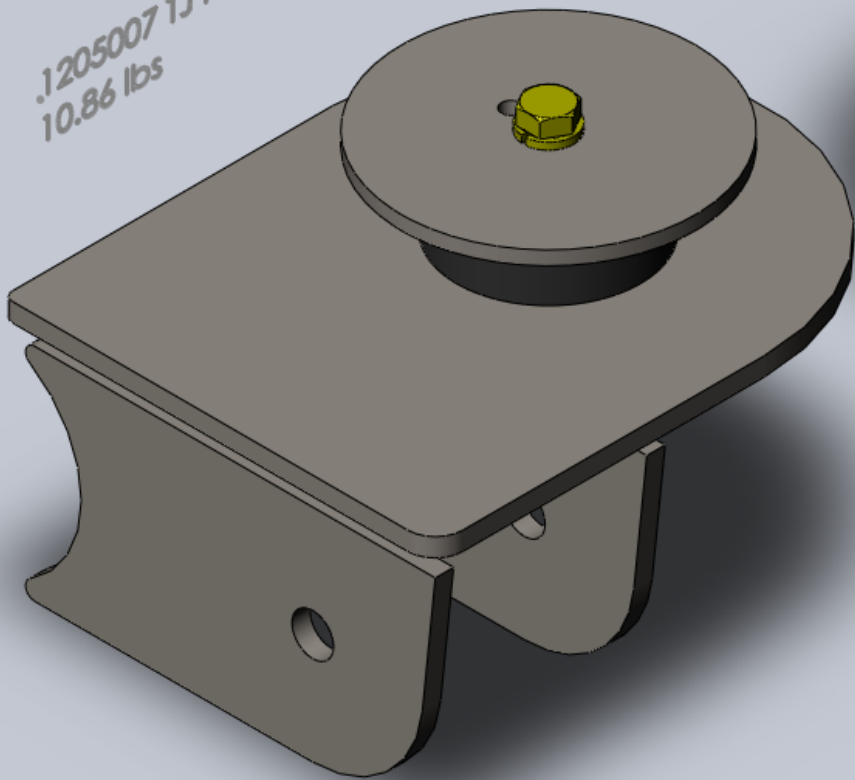


.1205007 TJ High Clearance 7" Stretch Axle Bracket Kit (3.00" Tube)
10.86 lbs



ITEM NO.	PART NUMBER	DESCRIPTION	QTY.
1	15109	3/8"-16x1-1/2" Grade 8 Hex Cap Screw	2
2	33893	3/8" Yellow Zinc Finish High Alloy Medium Split Lock Washer	2
3	37984	3/8"-16 Hex Weld Nut High Pilot	2
4	RAB05	Axle Spring Retainer	2
5	RAB06	Poly Spring Retainer Spacer	2
6	TJSTKABI300	Lower Control Arm Mount Inside 3.000"	2
7	TJSTKABO300	Lower Control Arm Mount Outside 3.000"	2
8	TJSTKSP	Spring Perch	2