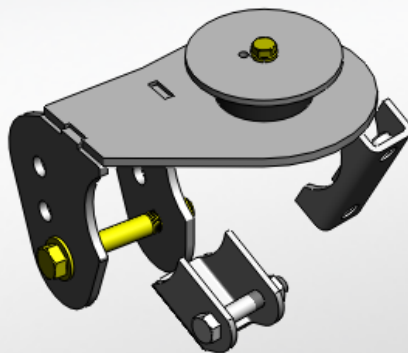
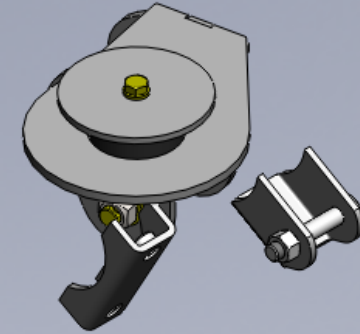


*.1206130 WJ Rear Axle Bracket Kit (3.00" Tube)
14.18 lbs*



ITEM NO.	PART NUMBER	DESCRIPTION	QTY.
1	15107	3/8"-16 x 1-1/4" Yellow Zinc Finish SAE J429 Grade 8 Hex Cap Screw	2
2	18951	9/16"-18 x 4" Yellow Zinc Finish SAE J429 Grade 8 Hex Cap Screw	2
3	33818	9/16" Yellow Zinc Finish SAE Thru-Hardened Flat Washer	4
4	33893	3/8" Yellow Zinc Finish High Alloy Medium Split Lock Washer	2
5	37310	9/16"-18 Zinc Finish Grade C Top Lock Nut	2
6	37984	3/8"-16 Hex Weld Nut High Pilot	2
7	38713	M12-1.75x65 Hex Head Cap Screw	2
8	40171	M12-1.75 Nylon Insert Nut	2
15	RAB05	Axle Spring Retainer	2
16	RAB06	Poly Spring Retainer Spacer	2
17	S-M10-2Z1	PEM Self-Clinching Nut	4
18	WJRAB01	WJ Rear Axle Spring Perch	2
19	WJRAB02	WJ Rear Axle Inside CA Mount	2
20	WJRAB03	WJ Rear Axle Outside CA Mount	2
21	WJRAB04	WJ Rear Axle Lower Shock Mount	2
22	WJRAB05	WJ Rear Sway Bar Mount	2