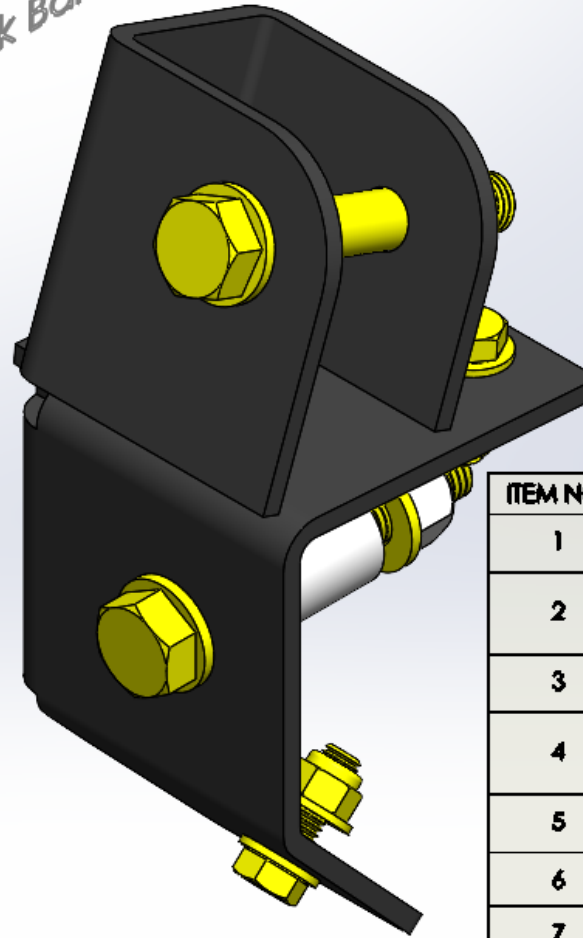


*4500500 Jeep Wrangler Rear Track Bar Relocation Bracket
 (1997-2006, TJ/LJ)
 3.1 lbs*



ITEM NO.	PART NUMBER	DESCRIPTION	QTY.
1	0128794	M12-1.75 x 80mm DIN 931 Class 10.9 Yellow Zinc Finish Hex Cap Screw	2
2	11103710	M12 x 24mm OD DIN 125 Grade HV200 Yellow Zinc Finish Steel Type A General Purpose Flat Washer	4
3	15055	5/16"-18 x 1" Grade 8 Yellow Zinc Finish Hex Cap Screw	2
4	33814	5/16" x 0.688" OD Thru-Hardened Yellow Zinc Finish Steel SAE General Purpose Flat Washer	4
5	37184	5/16"-18 Grade 8 Yellow Zinc Finish NE Steel Nylon Insert Lock Nut	2
6	4500500A	TJ/LJ Rear Track Bar Relocation Bracket Base	1
7	4500500B	TJ/LJ Rear Track Bar Relocation Bracket Mount	1
8	90683	M12-1.75 DIN 980 Class 10 Zinc Finish Steel Top Lock Nut	2
9	F1618	12mm Crush Tube For Track Bar Bushing	1