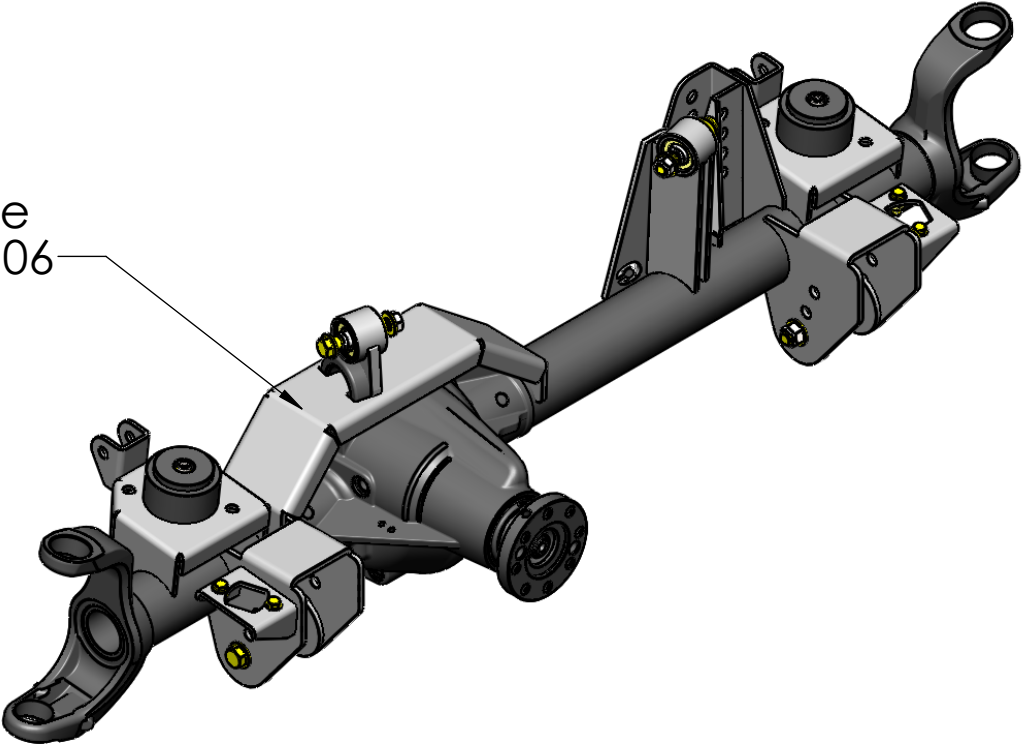
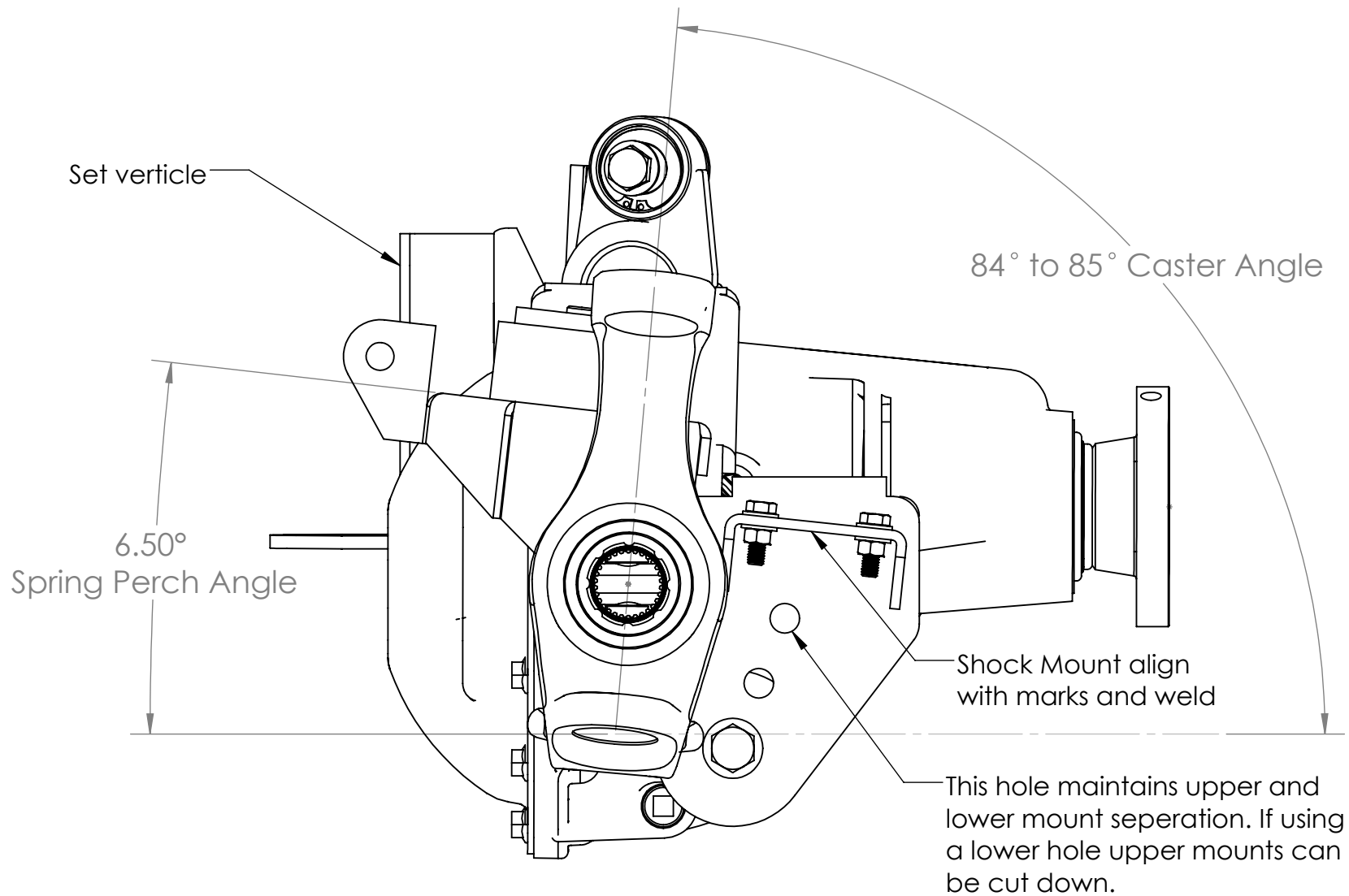


Optional Bridge
PN COR-1108106



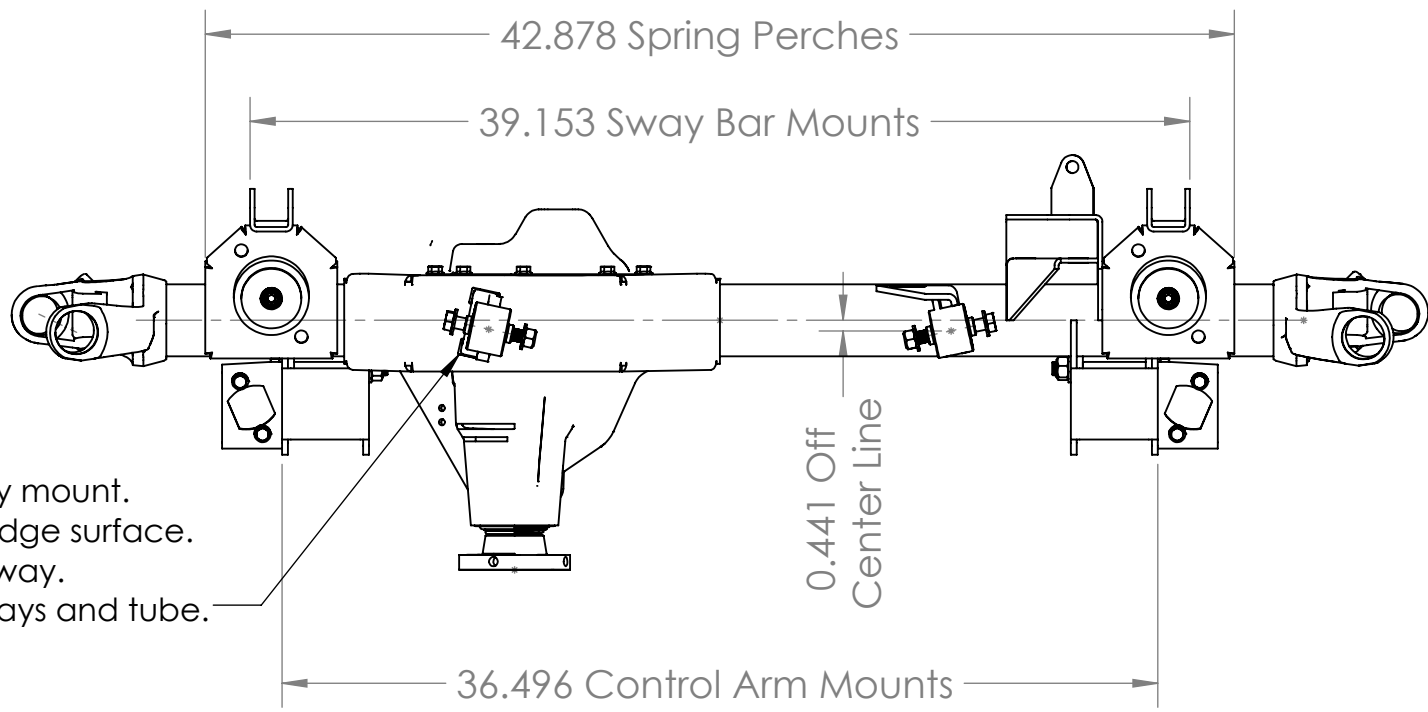
TITLE:
WJ Front Axle Bracket Kit (3.00" Tube)

SIZE	DWG. NO.	REV
A	1106130	A
SCALE: 1:8	WEIGHT:	SHEET 1 OF 4



Caster and pinion angle guidelines.
 WJ stock caster angle is 9.5 degrees.
 5 to 6 degrees of caster will work in most applications.
 A JK axle at 5 degrees caster pinion angle will be zero.
 For custom axles set caster at 5 to 6 degrees and pinion angle at 5 to 6 degrees depending on lift height.

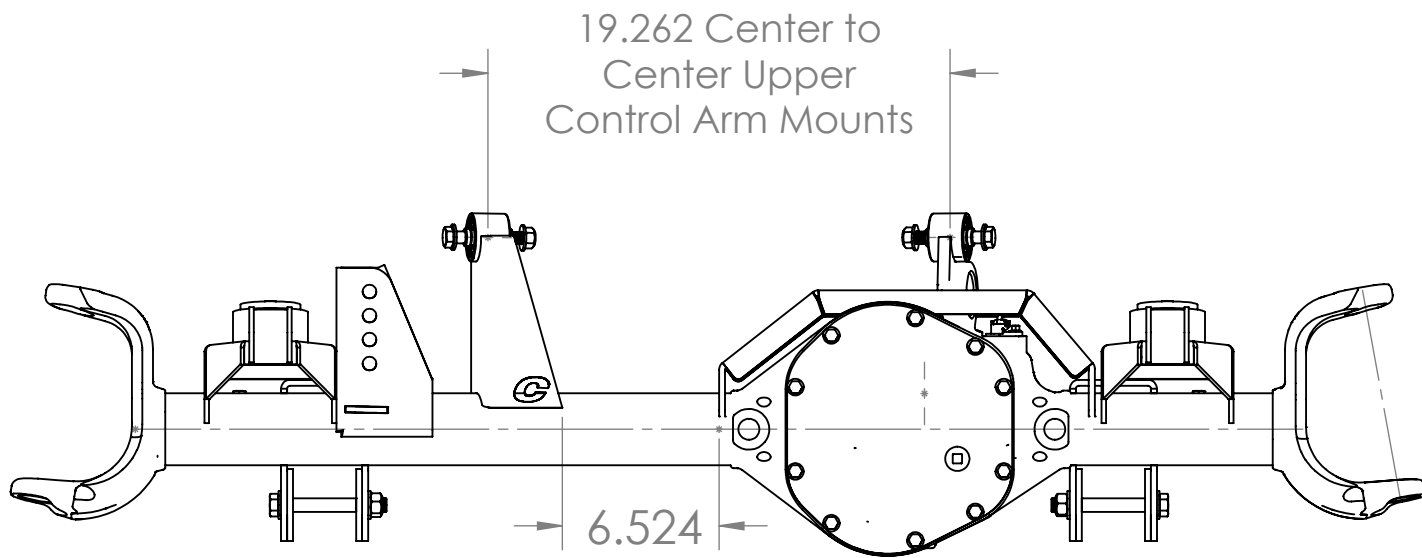
TITLE:		
WJ Front Axle Bracket Kit (3.00" Tube)		
SIZE	DWG. NO.	REV
A	1106130	A
SCALE: 1:3	MTL:	SHEET 2 OF 4



Cut off factory mount.
 1/8" below bridge surface.
 Center in keyway.
 Weld to keyways and tube.

TITLE:
 WJ Front Axle Bracket Kit (3.00" Tube)

SIZE A	DWG. NO. 1106130	REV A
------------------	---------------------	-----------------



TITLE:
WJ Front Axle Bracket Kit (3.00" Tube)

SIZE	DWG. NO.	REV
A	1106130	A

SCALE: 1:8	MTL:	SHEET 4 OF 4
------------	------	--------------