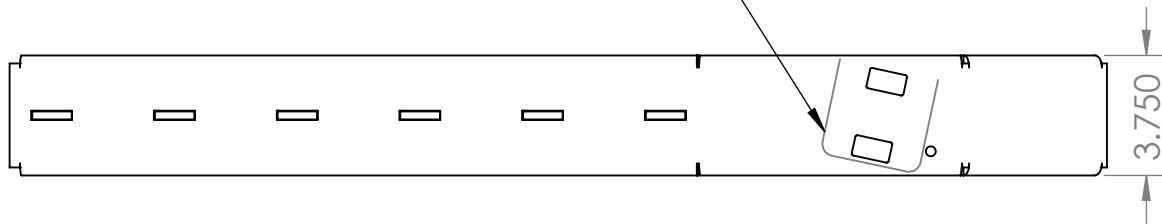
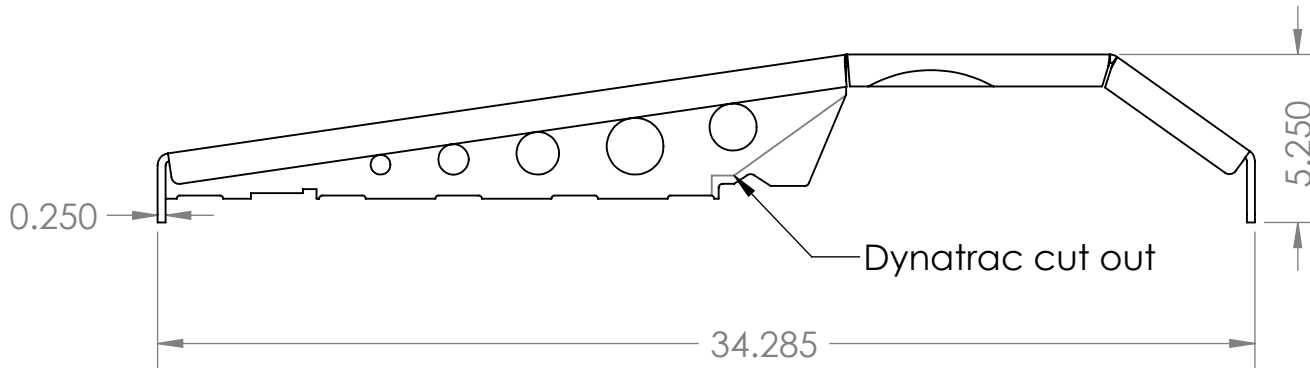


3 Link Mount Location



3.750

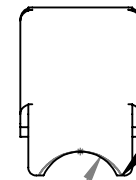


0.250

Dynatrac cut out

34.285

5.250



3" cut out

R1.250

TITLE:

Jeep Wrangler Dana 44 Truss  
(2007-2017, JK)

SIZE  
**A**

DWG. NO.  
1108102

REV  
A

SCALE: 1:6

WEIGHT:

SHEET 1 OF 1