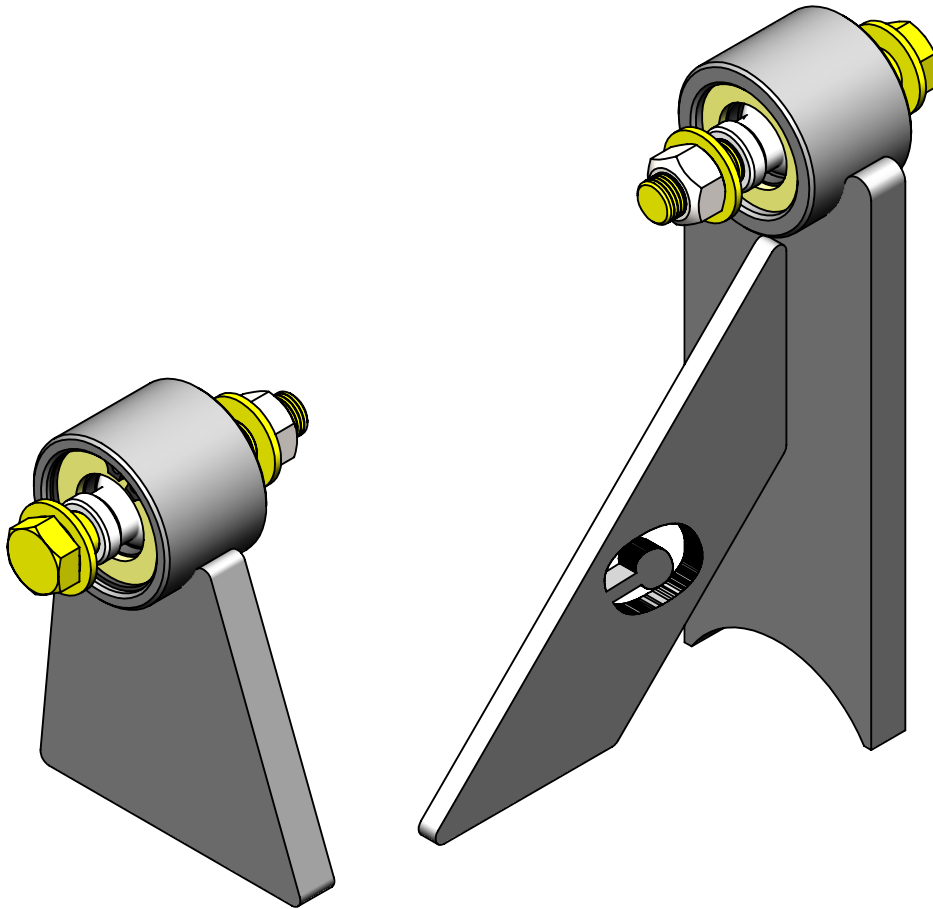


CLAYTON OFF ROAD  
COR-1100103  
JEEP FRONT AXLE UPPER CONTROL ARM MOUNTS (1984-2006, TJ/LJ/XJ/ZJ)



NOTES: This product may require general welding, fabrication and automotive mechanic skills. Welding should only be done by a competent welder. Clayton Off Road implies no guarantees or warranties and is not liable for improper installation. Some grinding and fitment may be required when installing this product. Every vehicle varies slightly and some fabrication may be required. For more information please visit our website.

