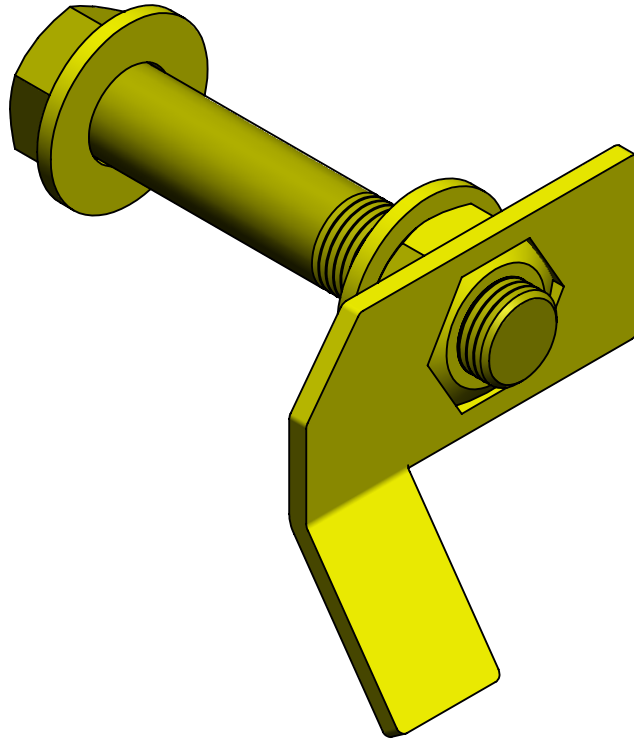


CLAYTON OFF ROAD
COR-1100110
JEEP HEAVY DUTY TRACK BAR BOLT KIT (1984-2006, TJ/LJ/XJ/ZJ)



Track bar bushing MB01B701740 required
Stock track bar bracket on axle needs to be drilled to 9/16"
This is a top lock nut, it will not thread on completely by hand.

- Step 1: Remove track bar from vehicle.
- Step 2: Remove odd track bar bushing from axle end of track bar.
- Step 3: Install new track bar bushing part number MB01B701740.
- Step 4: Drill track bar bracket on axle to 9/16" diameter.
- Step 5: Install track bar at frame side reusing old hardware.
- Step 6: Install track bar at axle side with new bolt, washers and top lock nut tab.
- Step 7: If you have an adjustable track bar check track and adjust if needed.
- Step 8: Torque to 146 FT-LBS