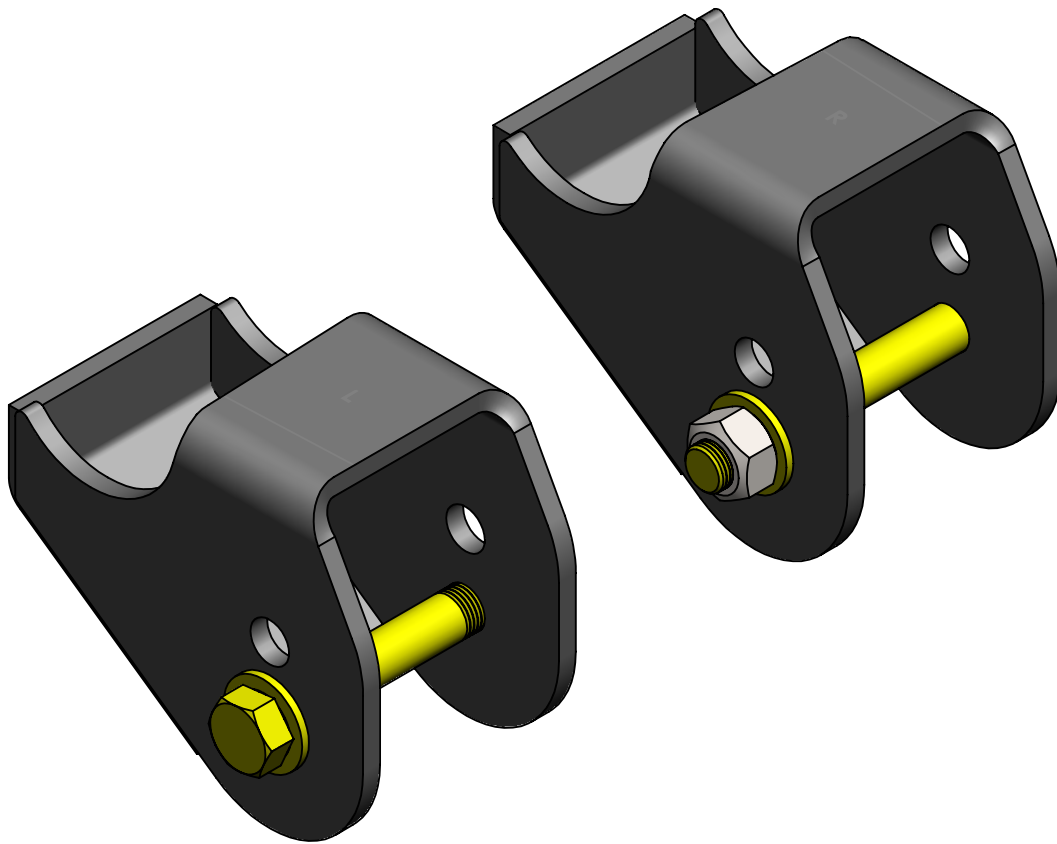


**CLAYTON OFF ROAD
COR-1108100
JEEP WRANGLER FRONT LOWER CONTROL ARM BRACKETS (2007-2017, JK)**



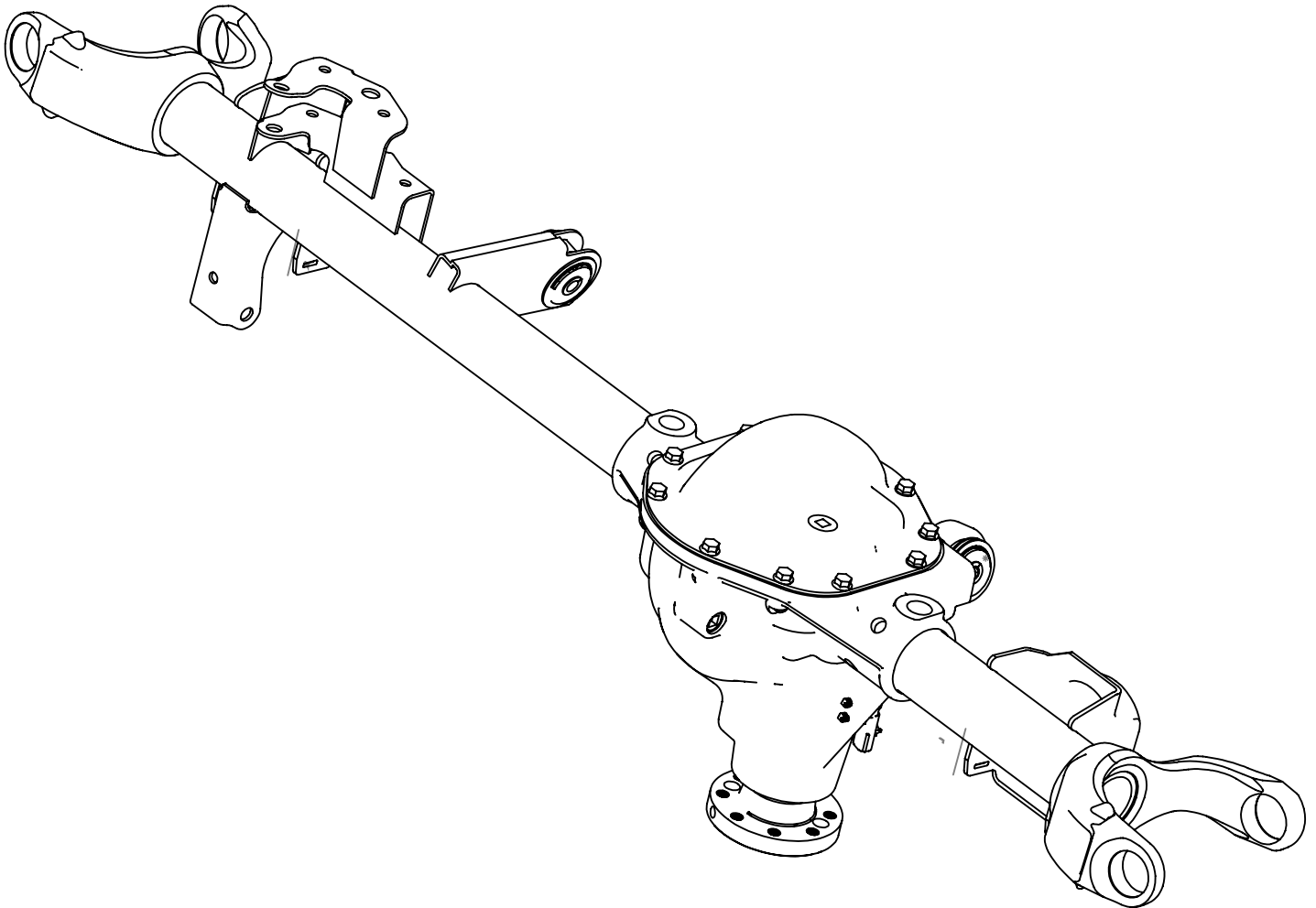
NOTES: This product may require general welding, fabrication and automotive mechanic skills. Welding should only be done by a competent welder. Clayton Off Road implies no guarantees or warranties and is not liable for improper installation. Some grinding and fitment may be required when installing this product. Every vehicle varies slightly and some fabrication may be required. For more information please visit our website.

Refer to picture below.

Step 1: Remove axle from vehicle. (optional)

Step 2: Remove factory lower control arm mounts.

Step 3: Grind axle tubes smooth and clean axle tubes for welding.



Refer to picture below and 3 drawing views for measurements.

Step 1: Position new lower control arm mounts on axle. Make sure you have the left and right hand bracket in the proper location.

Step 2: Check to make sure control arm fits into mount.

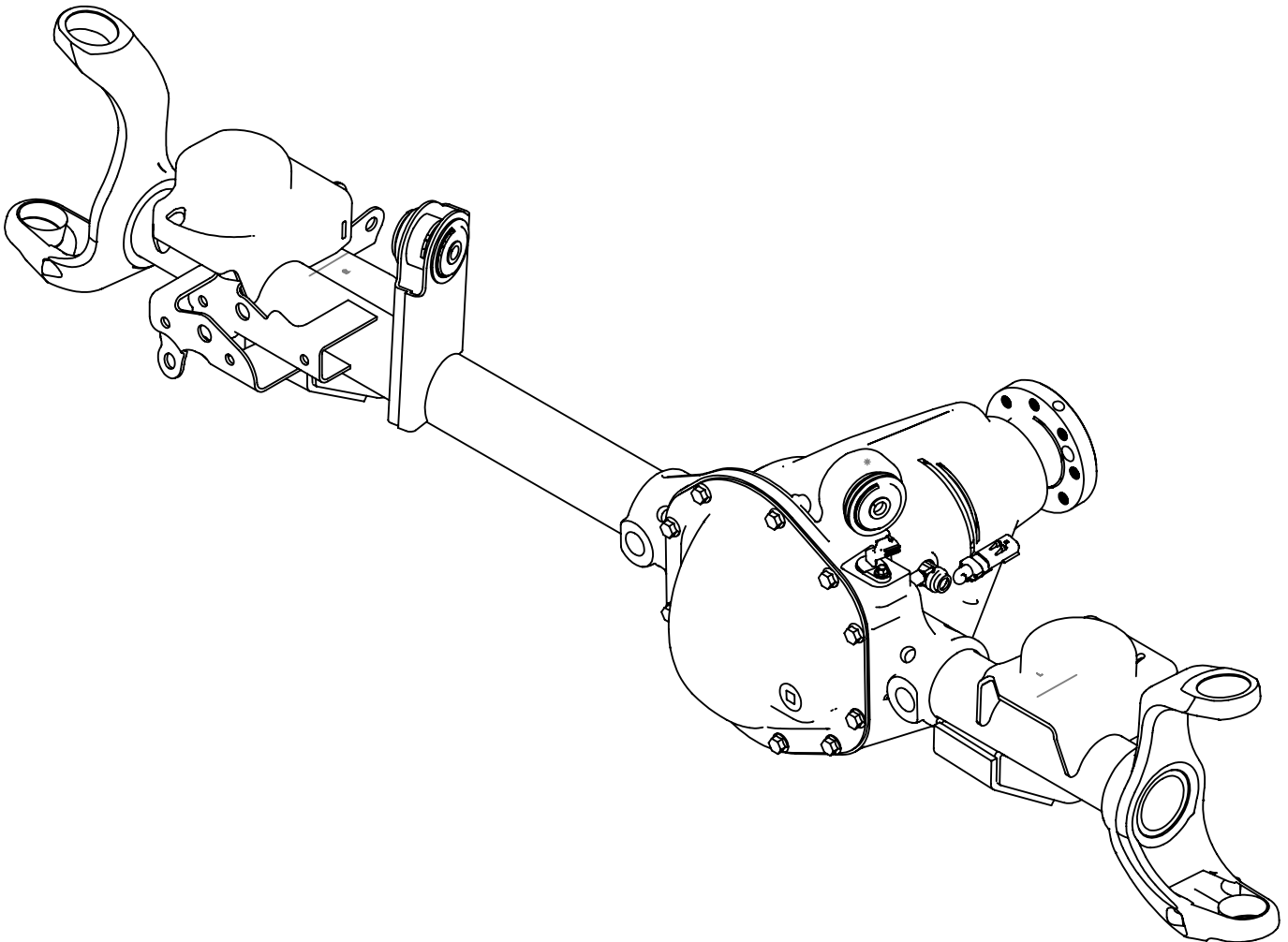
Step 3: Tack weld in place.

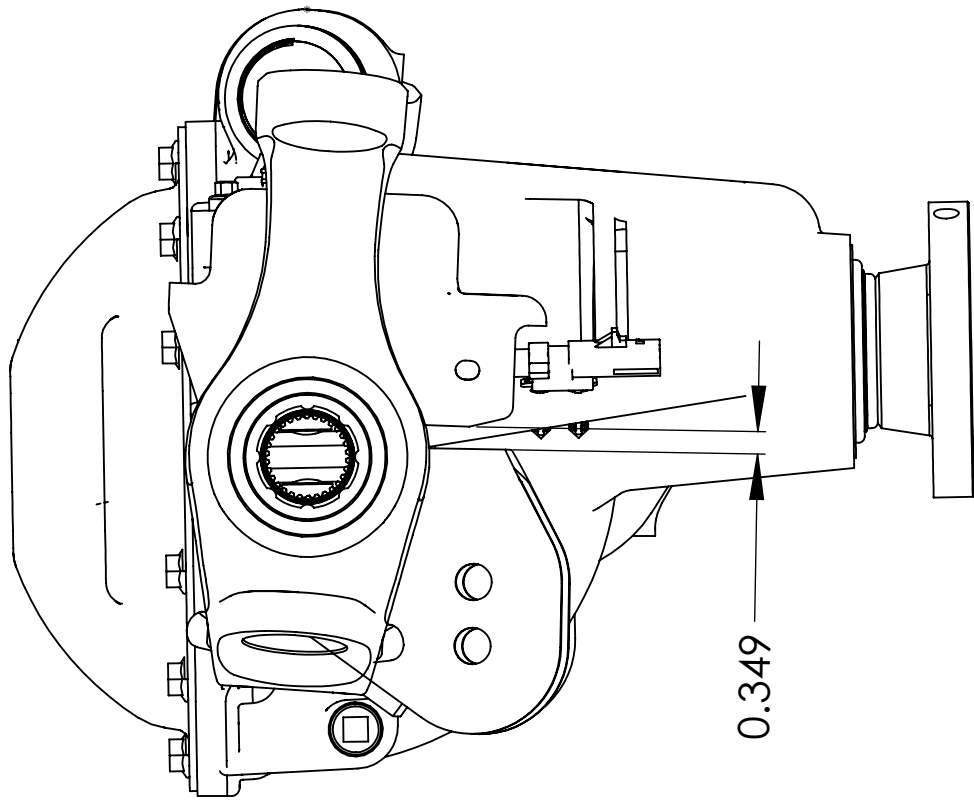
Step 4: Weld both sides of the mounts inside and out where possible.

Step 5: Weld on front cover plates.

Step 5: Paint axle.

Step 6: Install axle in vehicle. (If removed for install)





The distance to the upper spring perch will be 0.349".

