

**CLAYTON OFF ROAD  
COR-1108106  
JEEP WRANGLER 3 LINK BRIDGE (2007-2017, JK)**

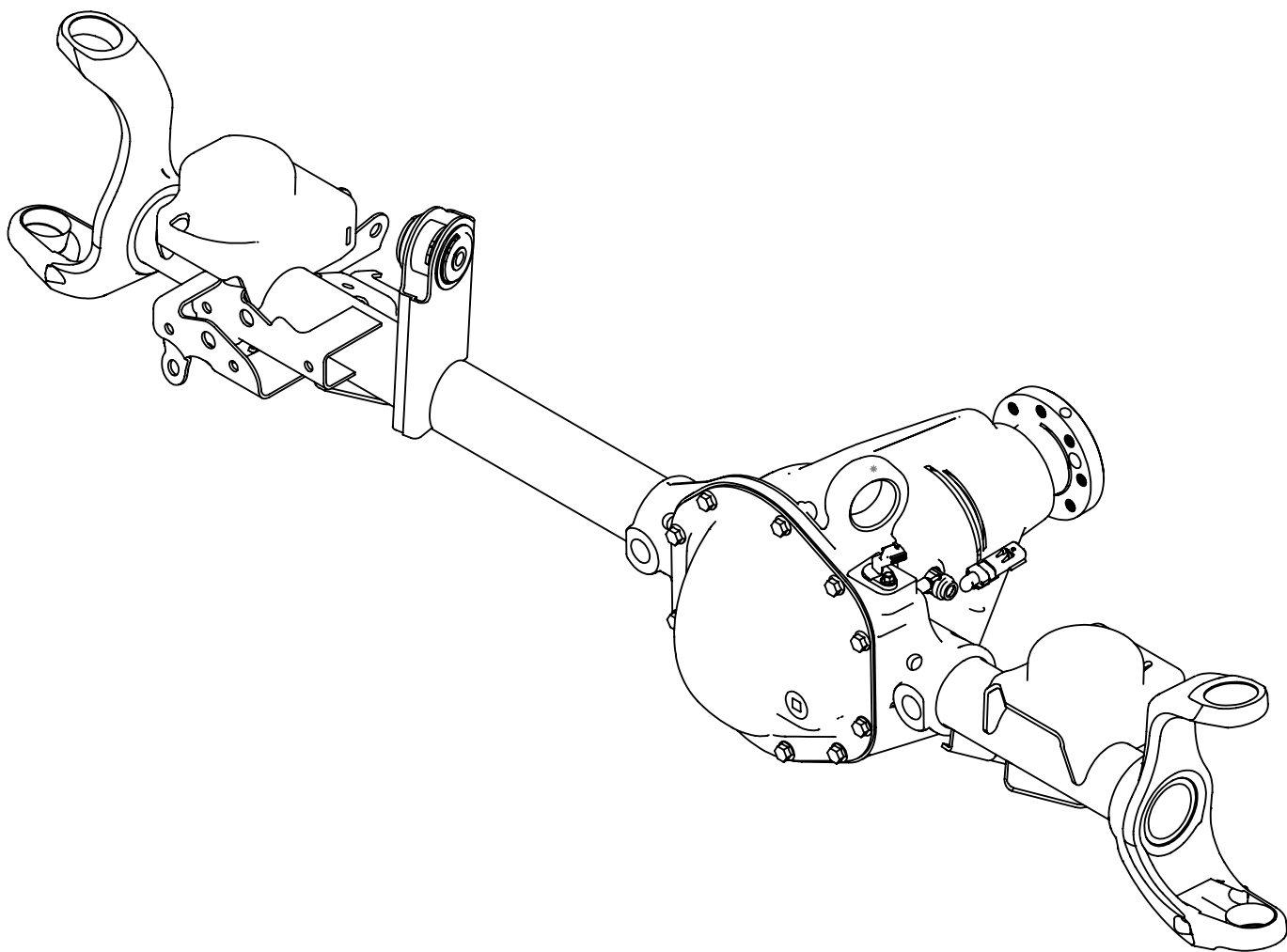


NOTES: This product may require general welding, fabrication and automotive mechanic skills. Welding should only be done by a competent welder. Clayton Off Road implies no guarantees or warranties and is not liable for improper installation. Some grinding and fitment may be required when installing this product. Every vehicle varies slightly and some fabrication may be required. For more information please visit our website.

Refer to picture below.

Step 1: Remove axle from vehicle.

Step 2: Remove drive side upper control arm bushing.

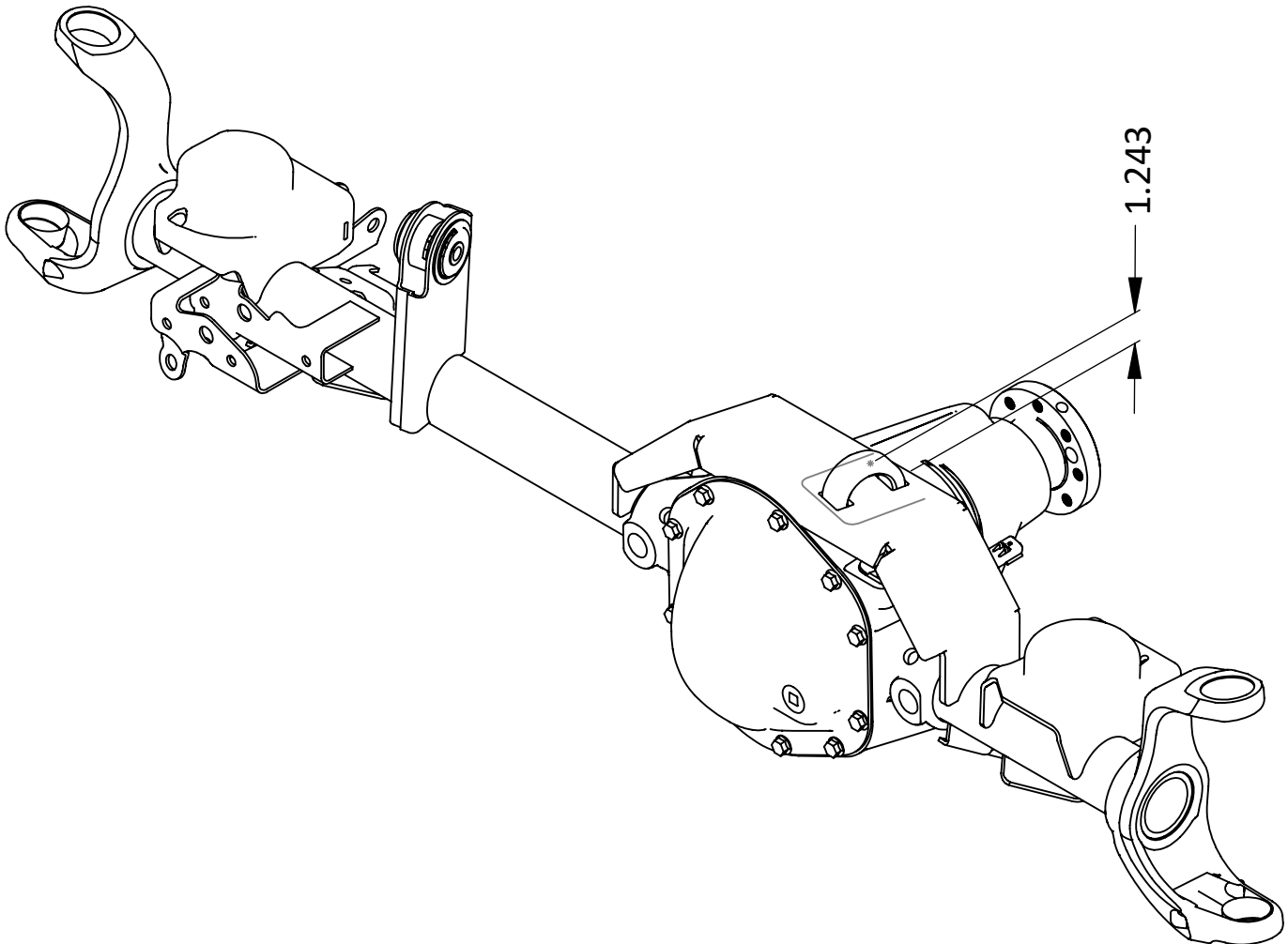


Refer to picture below.

Step 3: Trim driver side upper control arm mount so that you have 2 posts that fit into the 2 cut outs in the top of the bridge about an 1/8" below the top of the bridge.

Step 4: Test fit the bridge on the axle.

**Note: This is a rough dimensions to use for trimming the mount. The 1.243" dimension is from the top of the mount to the top of the truss. Remember the post should be an 1/8" below the top of the bridge for welding.**



Refer to picture below.

Step 5: Weld 2 posts into cut outs.

Step 6: Weld bridge to axle tubes.

Step 7: Weld 4 corners of the bridge.

Step 8: Weld optional 3 link mount part number COR-1130110 to bridge on all sides inside and out.

Step 9: Paint axle.

Step 10: Install axle in vehicle.

