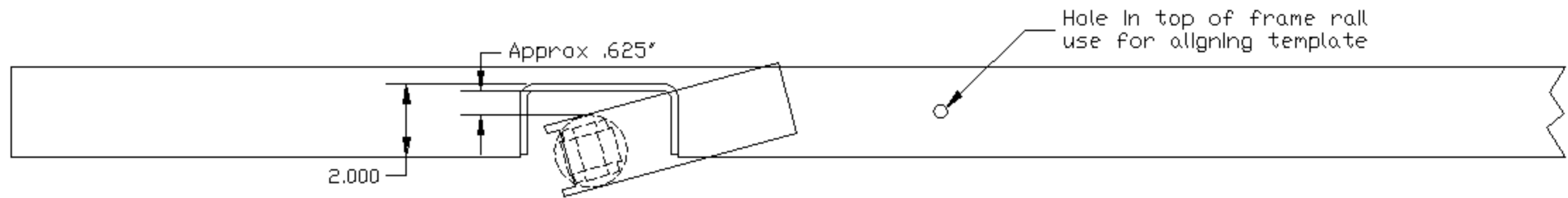


TJ Rear Shock Conversion Drawing



Cut upper shock mount length so that you have approx. 4.5' to 5.0' of up travel on the shock.

