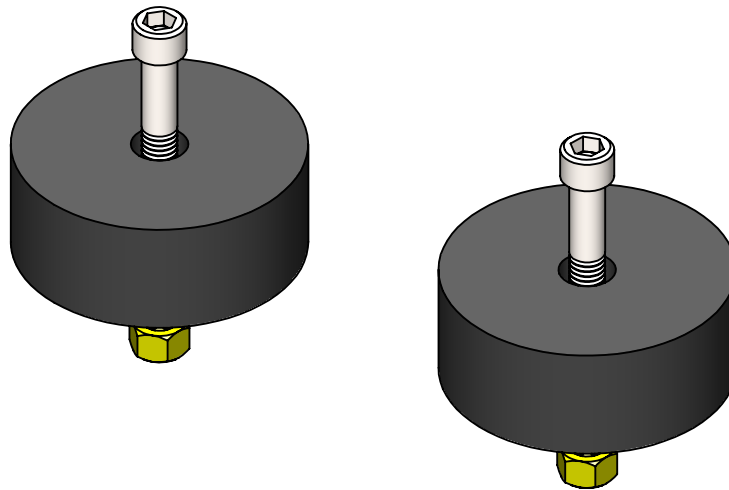


**CLAYTON OFF ROAD
COR-1409101**

JEEP WRANGLER 1.25" TALL FRONT BUMP STOPS (2007-2018+, JK/JL/JT)



NOTES: This product may require general welding, fabrication and automotive mechanic skills. Welding should only be done by a competent welder. Clayton Off Road implies no guarantees or warranties and is not liable for improper installation. Some grinding and fitment may be required when installing this product. Every vehicle varies slightly and some fabrication may be required. For more information please visit our website.

Refer to picture below.

Instructions for Wrangler models JK/JL and Gladiator.

Step 1: Remove spring.

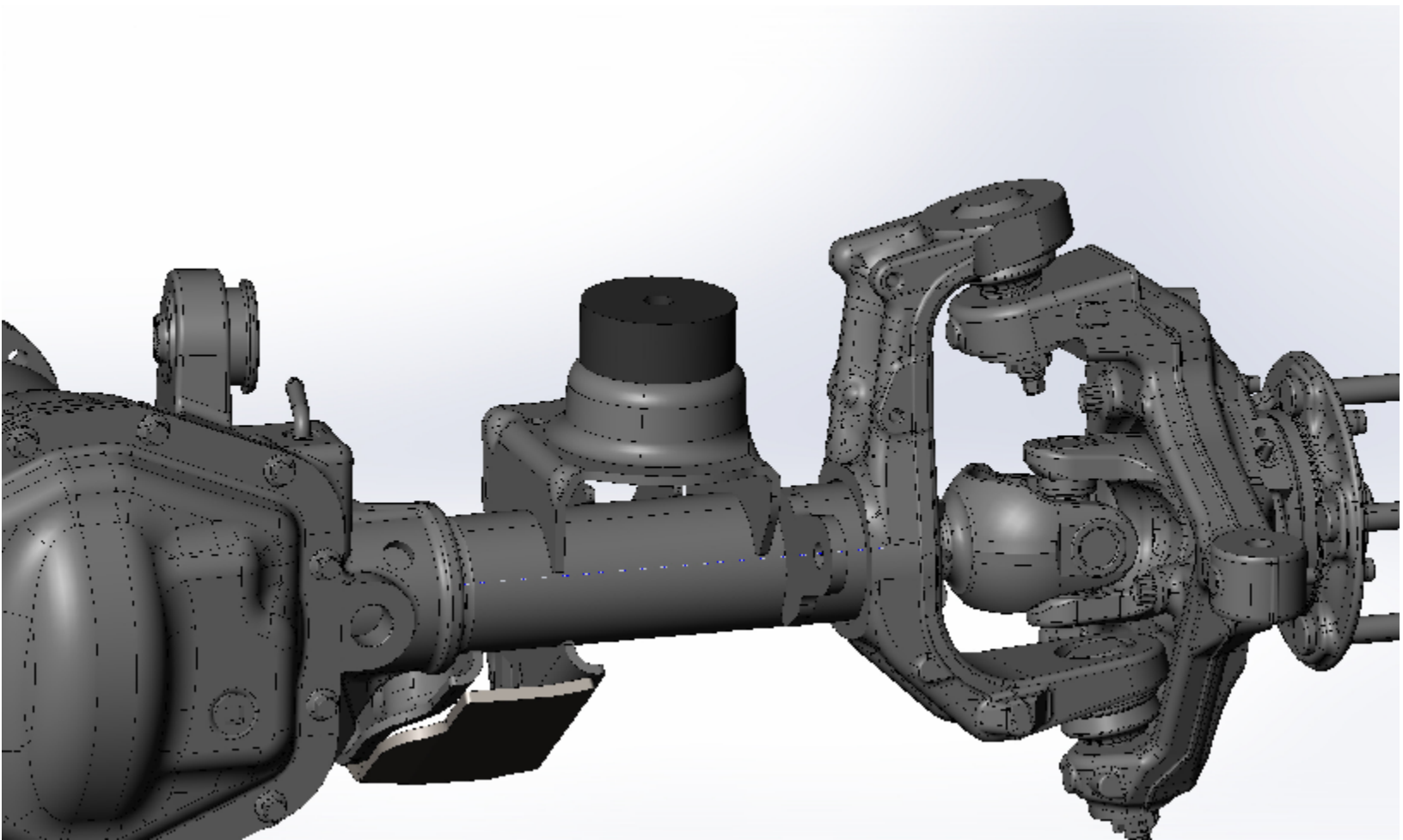
Step 2: Center bump stop on lower coil bucket.

Step 3: Mark hole location on lower coil bucket.

Step 4: Drill $13/32$ " hole in lower coil bucket.

Step 5: Insert bump stop into spring and install spring.

Step 6: Install nut and tighten bolt.



Refer to picture below.

Instructions for Wrangler models TJ/LJ, Cherokee XJ and Grand Cherokee ZJ

Step 1: Remove spring.

Step 2: Center bump stop on lower coil bucket.

Step 3: Mark hole location on lower coil bucket.

Step 4: Drill 5/16" hole in lower coil bucket.

Step 5: Tap hole 3/8"-16.

Step 5: Insert bump stop with bolt into spring and install spring.

Step 6: Tighten bolt.

