

**Clayton Off Road  
COR-1700101**

**Jeep OverLand Plus Short Upper Control Arms (1984-2006, TJ/LJ/XJ/ZJ)**



NOTES: This product may require general welding, fabrication and automotive mechanic skills. Welding should only be done by a competent welder. Clayton Off Road implies no guarantees or warranties and is not liable for improper installation. Some grinding and fitment may be required when installing this product. Every vehicle varies slightly and some fabrication may be required. For more information please visit our website.

Refer to pictures below.

Step 1: Support axle from rotating, a floor or bottle jack works well.

Step 2: Remove old control arms.

Step 3: Drill upper control mounts at the frame to 1/2"

Step 4: Set caster to 4.0 to 5.0 degrees by adjusting the height of the jack.

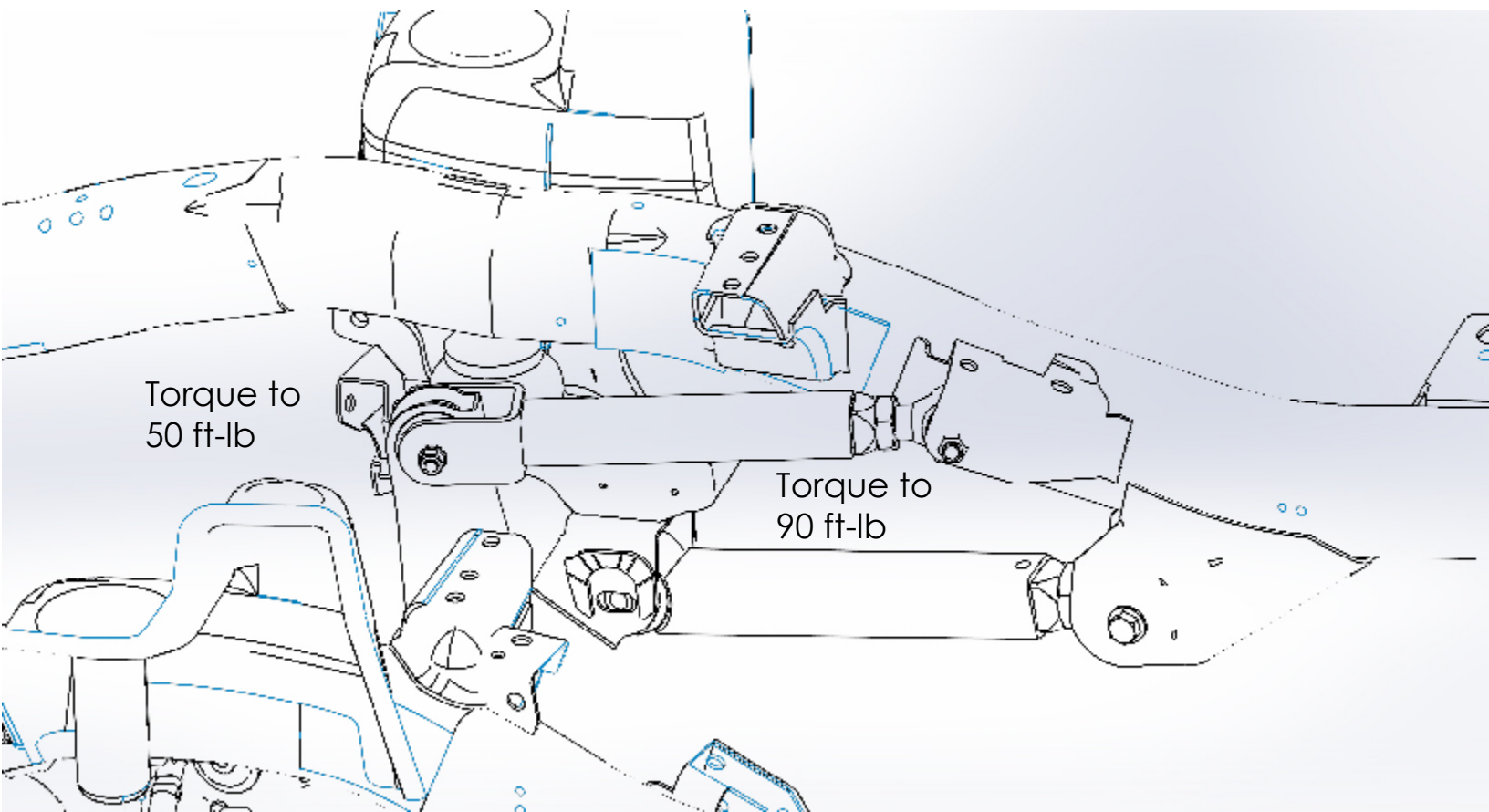
Step 5: Install arms at frame side.

Step 6: Adjust control arm to length so that bolts can easily be installed at axle end.

Step 7: Remove jack, and check caster.

Step 8: Torque M10 bolts at axle to 50 ft-lb and M12 bolts at frame to 90 ft-lb.

Step 9: Tighten jam nut using a 1-7/16" wrench.



Refer to drawing below for minimum and maximum lengths.

